



AMERICAN INDUCTION TECHNOLOGIES

AREA LIGHTING SHOE BOX



Model No.: LC-S108-SB-80W

Application

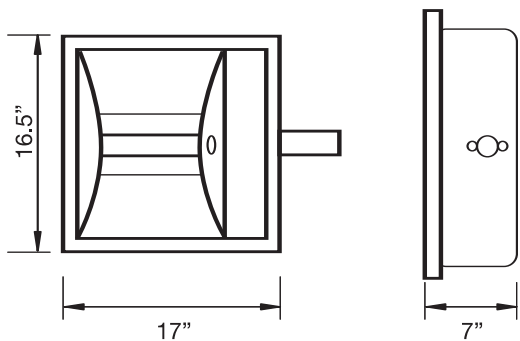
Ideal for 80W Induction System. Patented IC Generator and lamp rated for 100,000 hours life. Applications include walkways, driveways, tennis courts, malls, shopping centers, commercial and industrial complexes, residential areas, and parkway lighting.

Available in wide range of color temperatures from 2700 – 6500°K. Also available in 120V, 208V, 220V, 240V and 277V.

Specification Features

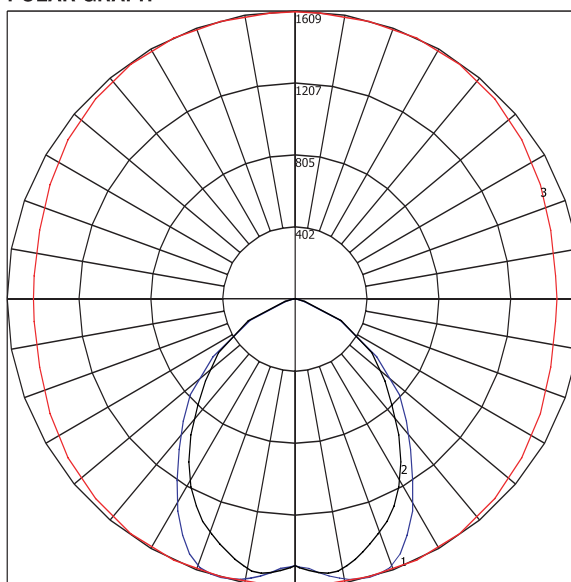
- UL Listed for wet locations
- Aluminum reflector is designed for maximum photometric efficiency and optimum light distribution
- Precision die-cast aluminum housing with powder coated finish
- Comes with heat and impact-resistant tempered glass lens

Engineering Dimensions



Photometric Information

POLAR GRAPH



Maximum Candela = 1609 Located At Horizontal Angle = 65, Vertical Angle = 15
1 - Vertical Plane Through Horizontal Angles (65 - 245) (Through Max. Cd.) : BLUE
2 - Vertical Plane Through Horizontal Angles (0 - 180) : BLACK
3 - Horizontal Cone Through Vertical Angle (15) (Through Max. Cd.) : RED
Calculations based on published IES Methods and recommendations.
Results derived from content of manufacturers IES format photometric file.