



AMERICAN INDUCTION TECHNOLOGIES

GAS STATION LIGHT



Item No.: LC-S112-80W

Application

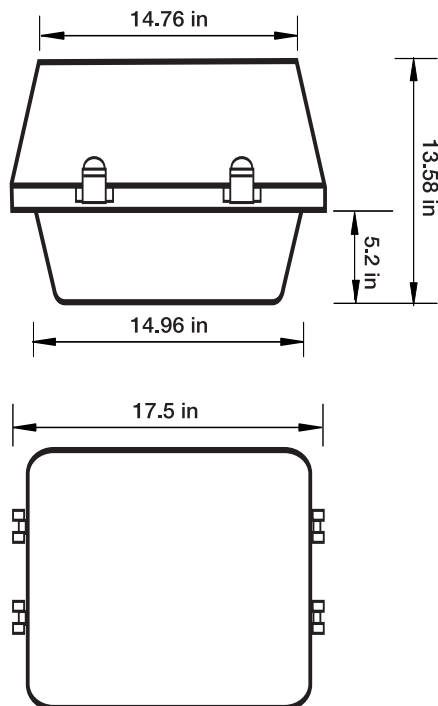
Ideal for 80W Induction System. Patented IC Generator and lamp rated for 100,000 hours life. Great application for gas stations.

Available in wide range of color temperatures from 2700 – 6500°K. Also available in 120V, 208V, 220V, 240V and 277V.

Specification Features

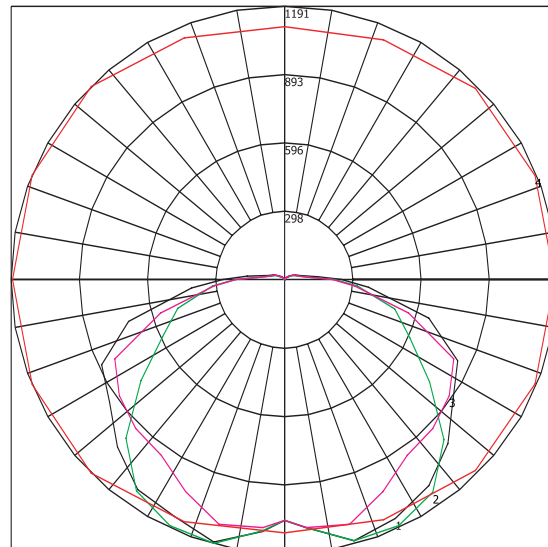
- UL Listed for wet locations
- Reflector is designed for maximum photometric efficiency and optimum light distribution
- Precision die-cast aluminum housing with powder coated finish
- High impact polycarbonate lens

Engineering Dimensions



Photometric Information

POLAR GRAPH



Maximum Candela = 1191 Located At Horizontal Angle = 157.5, Vertical Angle = 15
1 - Vertical Plane Through Horizontal Angles (0 - 180) : BLACK
2 - Vertical Plane Through Horizontal Angles (45 - 225) : GREEN
3 - Vertical Plane Through Horizontal Angles (90 - 270) : MAGENTA
4 - Horizontal Cone Through Vertical Angle (15) (Through Max. Cd.) : RED

Calculations based on published IES Methods and recommendations.
Tested in accordance with IES procedures by Light Laboratory, Inc.

DESIGNED & ASSEMBLED IN USA

www.americaninduction.com



2750 E. Regal Park Dr. • Anaheim, CA 92806, USA
1.866-611.2484 Toll Free • 1.714.630.8511 Tel • 1.866.611.2485 Fax

All information deemed reliable but not guaranteed. © Copyright 2007 American Induction Technologies, Inc. All rights reserved.