



# AMERICAN INDUCTION TECHNOLOGIES

## ROADWAY LIGHTING



**Model No.: LC-S106WR-120W**

### Application

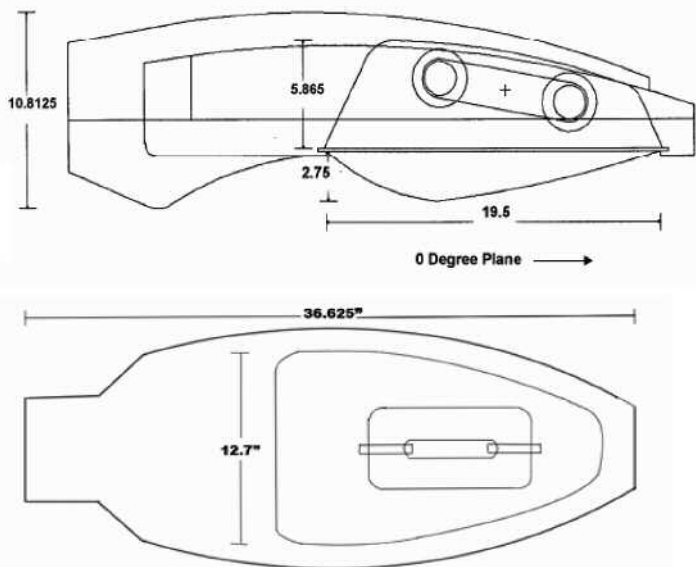
Ideal for 120W Induction System. Patented IC Generator and lamp rated for 100,000 hours life. Applications include street lighting, highways, parking lots, rural homes, public entrances, off-street areas, or other commercial and residential applications.

Available in wide range of color temperatures from 2700 – 6500°K. Also available in 120V, 208V, 220V, 240V and 277V.

### Specification Features

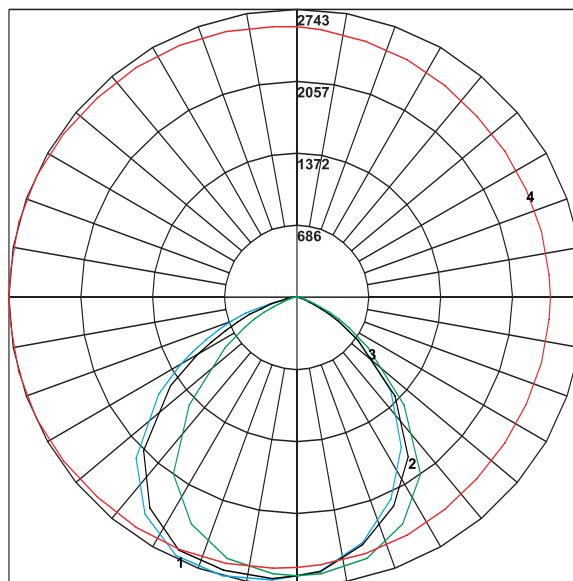
- UL Listed for wet locations
- Dusk to dawn sensor W/twist-lock photo control
- Aluminum reflector is designed for maximum photometric efficiency and optimum light distribution
- Precision die-cast aluminum housing with powder coated finish
- Comes with high impact glass lens

### Engineering Dimensions



### Photometric Information

#### POLAR GRAPH



Maximum Candela = 2743 Located At Horizontal Angle = 165, Vertical Angle = 15  
# 1 - Vertical Plane Through Horizontal Angles (165 - 345) (Through Max. Cd.): BLUE  
# 2 - Vertical Plane Through Horizontal Angles (45 - 225) : BLACK  
# 3 - Vertical Plane Through Horizontal Angles (90 - 270) : GREEN  
# 4 - Horizontal Cone Through Vertical Angle (15) (Through Max. Cd.) : RED

Calculations based on published IES Methods and recommendations.  
Tested in accordance with IES procedures by Light Laboratory, Inc.

DESIGNED & ASSEMBLED IN USA

[www.americaninduction.com](http://www.americaninduction.com)



2750 E. Regal Park Dr. • Anaheim, CA 92806, USA  
1.866-611.2484 Toll Free • 1.714.630.8511 Tel • 1.866.611.2485 Fax

All information deemed reliable but not guaranteed. © Copyright 2007 American induction Technologies, Inc. All rights reserved.