



AMERICAN INDUCTION TECHNOLOGIES

ROADWAY LIGHTING



Model No.: LC-S106WR-150W

Application

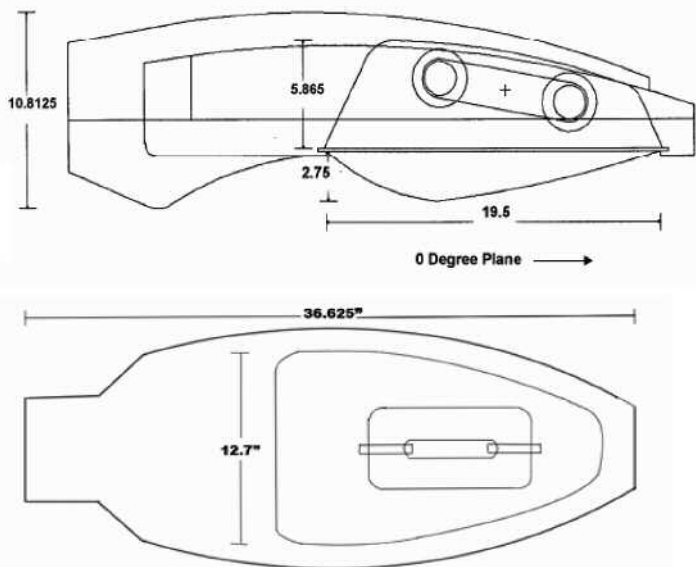
Ideal for 150W Induction System. Patented IC Generator and lamp rated for 100,000 hours life. Applications include street lighting, highways, parking lots, rural homes, public entrances, off-street areas, or other commercial and residential applications.

Available in wide range of color temperatures from 2700 – 6500°K. Also available in 120V, 208V, 220V, 240V and 277V.

Specification Features

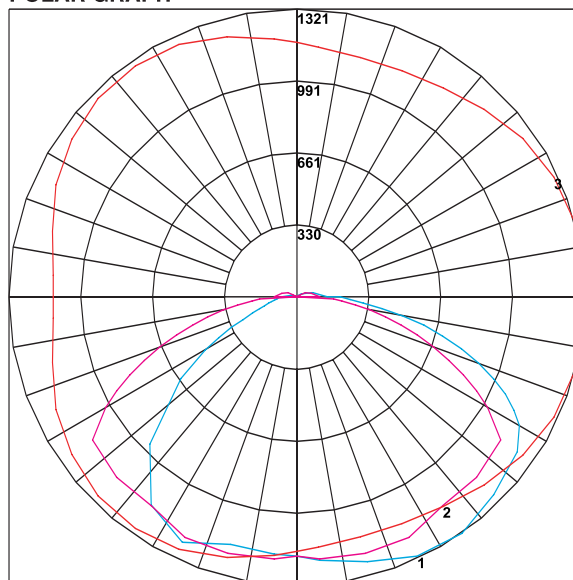
- UL Listed for wet locations
- Dusk to dawn sensor W/twist-lock photo control
- Aluminum reflector is designed for maximum photometric efficiency and optimum light distribution
- Precision die-cast aluminum housing with powder coated finish
- Comes with high impact glass lens

Engineering Dimensions



Photometric Information

POLAR GRAPH



Maximum Candela = 1321 Located At Horizontal Angle = 15, Vertical Angle = 35
1 - Vertical Plane Through Horizontal Angles (15 - 195) (Through Max. Cd.)
2 - Vertical Plane Through Horizontal Angles (90 - 270)
3 - Horizontal Cone Through Vertical Angle (35) (Through Max. Cd.)

Calculations based on published IES Methods and recommendations.
Tested in accordance with IES procedures by Light Laboratory, Inc.