



AMERICAN INDUCTION TECHNOLOGIES

ROADWAY LIGHTING



Model No.: LC-S106WR-200W

Application

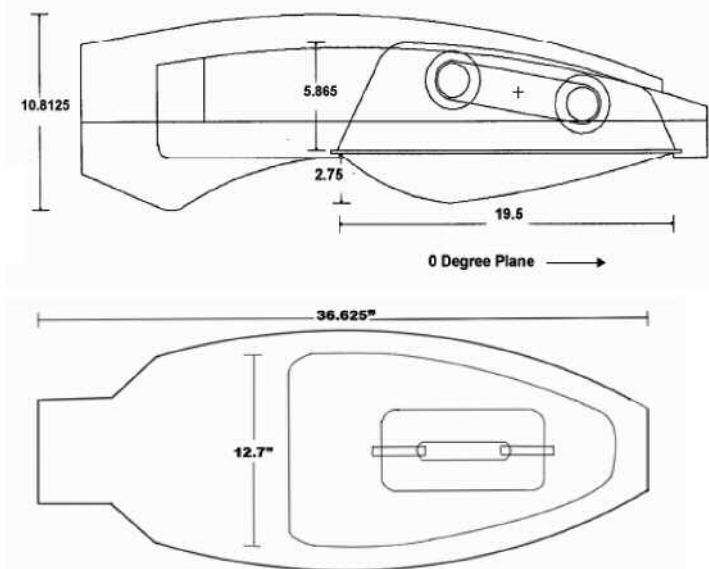
Ideal for 200W Induction System. Patented IC Generator and lamp rated for 100,000 hours life. Applications include street lighting, highways, parking lots, rural homes, public entrances, off-street areas, or other commercial and residential applications.

Available in wide range of color temperatures from 2700 – 6500°K. Also available in 120V, 208V, 220V, 240V and 277V.

Specification Features

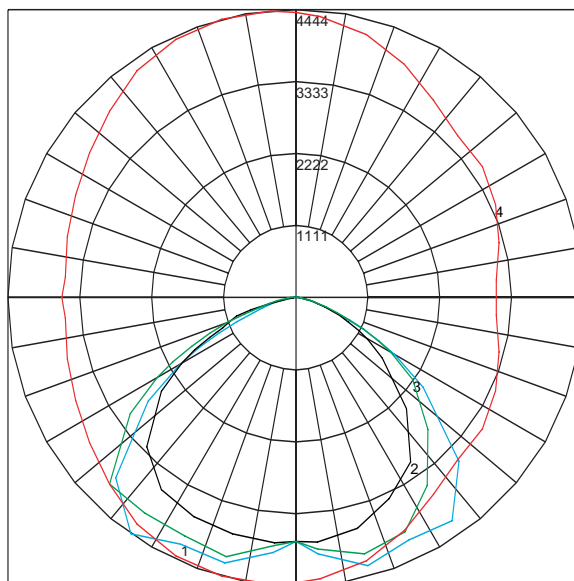
- UL Listed for wet locations
- Dusk to dawn sensor W/twist-lock photo control
- Aluminum reflector is designed for maximum photometric efficiency and optimum light distribution
- Precision die-cast aluminum housing with powder coated finish
- Comes with high impact glass lens

Engineering Dimensions



Photometric Information

POLAR GRAPH



Maximum Candela = 4444 Located At Horizontal Angle = 105, Vertical Angle = 35
1 - Vertical Plane Through Horizontal Angles (105 - 285) (Through Max. Cd.) : BLUE
2 - Vertical Plane Through Horizontal Angles (0 - 180) : BLACK
3 - Vertical Plane Through Horizontal Angles (45 - 225) : GREEN
4 - Horizontal Cone Through Vertical Angle (35) (Through Max. Cd.) : RED

Calculations based on published IES Methods and recommendations.
Tested in accordance with IES procedures by Light Laboratory, Inc.

DESIGNED & ASSEMBLED IN USA

www.americaninduction.com



2750 E. Regal Park Dr. • Anaheim, CA 92806, USA
1.866-611.2484 Toll Free • 1.714.630.8511 Tel • 1.866.611.2485 Fax