



AMERICAN INDUCTION TECHNOLOGIES

ROADWAY LIGHTING

Application

Ideal for 80W Induction System. Patented IC Generator and lamp rated for 100,000 hours life. Applications include street lighting, highways, parking lots, rural homes, public entrances, off-street areas, or other commercial and residential applications.

Available in wide range of color temperatures from 2700 – 6500°K. Also available in 120V, 208V, 220V, 240V and 277V.

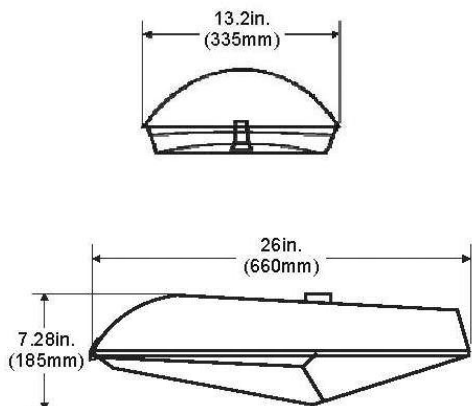


Item No.: **LC-S106WR-80W**

Specification Features

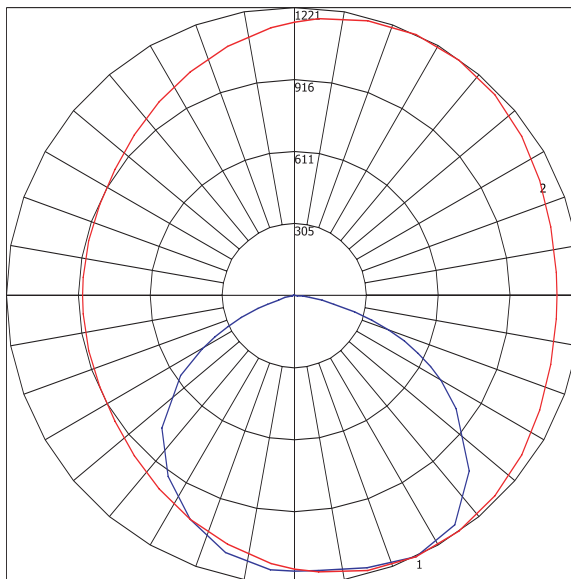
- UL Listed for wet locations
- Dusk to dawn sensor W/twist-lock photo control
- Aluminum reflector is designed for maximum photometric efficiency and optimum light distribution
- Precision die-cast aluminum housing with powder coated finish
- Comes with high impact glass lens

Engineering Dimensions



Photometric Information

POLAR GRAPH



Maximum Candela = 1221 Located At Horizontal Angle = 65, Vertical Angle = 25
1 - Vertical Plane Through Horizontal Angles (65 - 245) (Through Max. Cd.)
2 - Horizontal Cone Through Vertical Angle (25) (Through Max. Cd.)

Calculations based on published IES Methods and recommendations.
Tested in accordance with IES procedures by Light Laboratory, Inc.